



MOTORI COSTRUZIONE PROTETTA - OPEN DRIP PROOF MOTORS

I dati tecnici riportati nel presente catalogo non sono impegnativi.
Felm si riserva il diritto e la facoltà di apportare modifiche in qualsiasi momento senza preavviso.

The technical data listed in this catalogue may not be considered as binding.
Felm reserves the right to make modifications at any time without notice.

SPECIFICHE TECNICHE (50HZ) 2 POLI
TECHNICAL SPECIFICATION (50HZ) 2 POLE

Motor Type	Rated output KW	Full load					Locked Current	Locked Torque	Break-down Torque	moment of inertia J kgm ²	weight kg
		Current A		Speed r/min	Power factor COSØ	Efficiency η%					
		380V	400V				Rated Current	Rated Torque	Rated Torque		
Y ₂ -ODP 160M2	15	28.9	27.5	2920	0.88	89.5	6.5	2.0	2.5	0.067	132
Y ₂ -ODP 160L2	18.5	35.1	33.3	2925	0.88	91.0	6.8	2.1	2.6	0.068	141
Y ₂ -ODP 160LX2	22	43.6	41.4	2925	0.87	88.2	7.0	2.1	2.6	0.070	152
Y ₂ -ODP 180M2	30	56.6	53.7	2935	0.89	90.8	7.0	2.2	2.8	0.125	210
Y ₂ -ODP 180L2	37	69.3	65.8	2940	0.89	91.2	7.0	2.2	2.8	0.135	222
Y ₂ -ODP 200M2	45	83.7	79.5	2945	0.89	91.8	7.0	2.1	2.7	0.188	285
Y ₂ -ODP 200L2	55	102	97.3	2945	0.89	91.7	7.0	2.1	2.7	0.210	297
Y ₂ -ODP 225M2	75	138	131	2950	0.89	92.5	7.2	2.1	2.8	0.362	367
Y ₂ -ODP 250S2	90	163	154	2960	0.90	93.5	7.5	2.4	3.0	0.531	507
Y ₂ -ODP 250M2	110	197	187	2965	0.90	94.5	7.5	2.4	3.0	0.584	543
Y ₂ -ODP 280M2	132	234	223	2960	0.91	94.0	7.5	2.2	3.0	0.793	700
Y ₂ -ODP 315S2(A)	160	289	275	2970	0.89	94.4	6.5	1.6	2.8	1.592	942
Y ₂ -ODP 315M2(A)	200	371	352	2965	0.87	94.2	7.2	1.6	2.8	1.751	970
Y ₂ -ODP 315LA2(A)	250	463	439	2965	0.87	94.4	7.2	1.6	2.8	1.935	1035
Y ₂ -ODP 315LB2(A)	280	495	471	2970	0.90	95.4	7.0	1.8	2.8	2.177	1084
Y ₂ -ODP 315LX2(A)	315	556	528	2970	0.90	95.6	7.0	1.9	3.0	2.503	1180
Y ₂ -ODP 315LY2(B)	355	649	617	2965	0.87	95.5	7.0	1.5	2.1	2.629	1286
Y ₂ -ODP 315LZA2(B)	400	696	662	2970	0.91	95.9	7.0	1.8	3.0	2.997	1350
Y ₂ -ODP 315LZB2(B)	450	823	782	2970	0.87	95.5	7.0	1.5	2.1	3.145	1420
Y ₂ -ODP 355M2	500	860	817	2970	0.92	96.0	6.5	1.3	2.7	4.500	1620
Y ₂ -ODP 355MX2	560	963	915	2970	0.92	96.0	6.5	1.3	2.7	4.870	1730
Y ₂ -ODP 355L2	630	1084	1030	2970	0.92	96.0	6.5	1.3	2.7	5.340	1855
Y ₂ -ODP 355LX2	710	1221	1160	2970	0.92	96.0	6.5	1.3	2.7	5.340	1880

SPECIFICHE TECNICHE (50HZ) 4 POLI
TECHNICAL SPECIFICATION (50HZ) 4 POLE

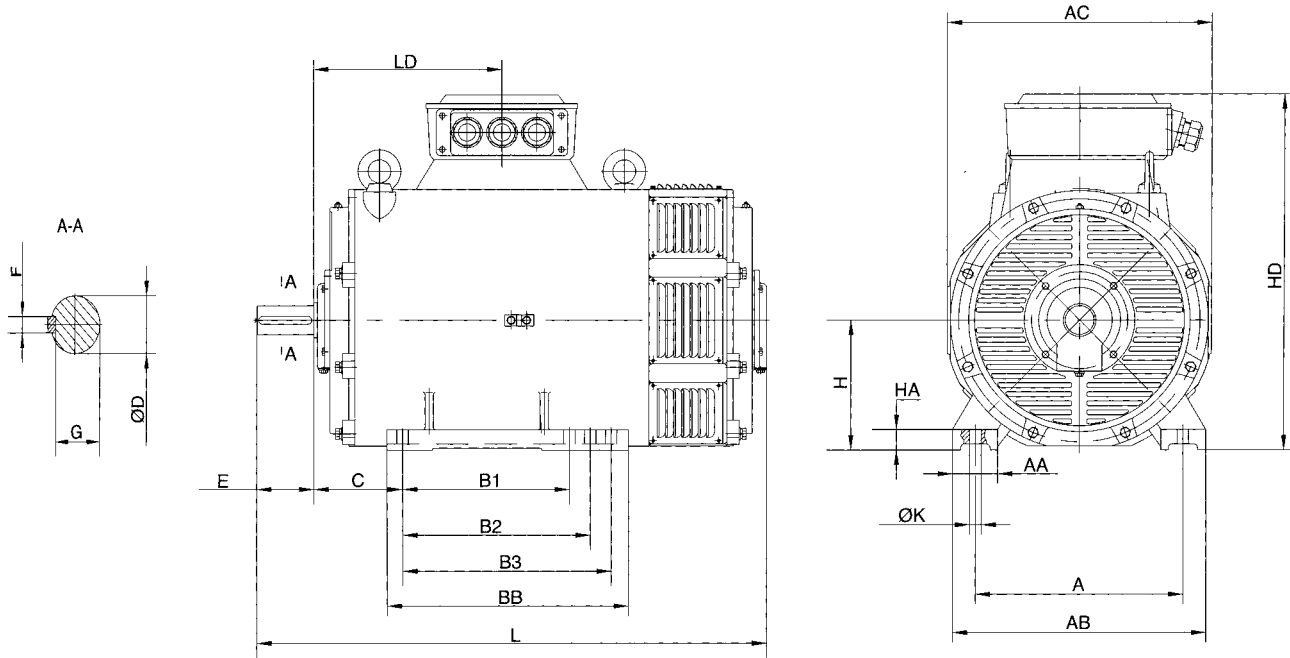
Motor Type	Rated output KW	Full load					Locked Current	Locked Torque	Break-down Torque	moment of inertia J	weight
		Current A		Speed r/min	Power factor COSØ	Efficiency η%					
		380V	400V				Rated Current	Rated Torque	Rated Torque	kgm²	kg
Y ₂ -ODP 160M4	11	22.7	21.6	1450	0.83	88.7	6.0	1.8	2.3	0.122	140
Y ₂ -ODP 160L4	15	30.2	28.7	1460	0.84	89.8	6.5	2.0	2.5	0.128	142
Y ₂ -ODP 160LX4	18.5	36.8	35.0	1460	0.84	90.9	7.0	2.2	2.5	0.130	154
Y ₂ -ODP 180M4	22	41.6	39.6	1460	0.88	91.2	7.5	2.7	3.2	0.224	206
Y ₂ -ODP 180L4	30	59.0	53.5	1460	0.88	91.9	7.5	2.7	3.2	0.266	226
Y ₂ -ODP 200M4	37	71.3	67.7	1465	0.86	91.7	6.5	2.1	2.6	0.328	297
Y ₂ -ODP 200L4	45	86.4	82.1	1465	0.86	92.0	6.5	2.1	2.6	0.620	311
Y ₂ -ODP 225M4	55	102	97.0	1470	0.88	93.0	7.0	2.4	3.0	0.945	389
Y ₂ -ODP 250S4	75	139	132	1475	0.88	93.1	7.0	2.4	3.0	1.032	524
Y ₂ -ODP 250M4	90	164	156	1475	0.89	93.5	7.2	2.4	3.0	1.546	551
Y ₂ -ODP 280S4	110	197	187	1475	0.90	94.4	7.4	2.6	3.2	1.764	735
Y ₂ -ODP 280M4	132	238	226	1475	0.90	93.5	7.0	2.4	3.0	3.212	742
Y ₂ -ODP 315S4(A)	160	295	280	1480	0.87	94.8	6.2	1.7	2.5	3.074	968
Y ₂ -ODP 315M4(A)	200	367	349	1480	0.87	95.2	6.2	1.7	2.5	3.744	1064
Y ₂ -ODP 315LA4(A)	250	453	430	1480	0.88	95.3	6.2	1.7	2.5	4.481	1165
Y ₂ -ODP 315LB4(A)	280	512	486	1475	0.87	95.6	6.0	1.6	2.4	4.446	1205
Y ₂ -ODP 315LX4(B)	315	567	539	1480	0.88	95.9	6.5	1.8	2.6	5.126	1364
Y ₂ -ODP 315LY4(B)	355	646	614	1480	0.87	96.0	7.0	1.9	2.8	6.090	1498
Y ₂ -ODP 315LZB4(B)	400	748	710	1480	0.86	94.5	6.7	1.6	2.4	6.211	1506
Y ₂ -ODP 355S4	450	827	786	1485	0.87	95.0	6.0	1.4	2.3	8.480	1750
Y ₂ -ODP 355M4	500	914	869	1485	0.87	95.5	6.0	1.4	2.3	9.170	1790
Y ₂ -ODP 355MX4	560	1012	962	1485	0.88	95.5	6.0	1.4	2.3	10.49	1945
Y ₂ -ODP 355L4	630	1145	1088	1485	0.88	95.0	6.5	1.6	2.5	12.08	2095
Y ₂ -ODP 355LX4	710	1277	1213	1485	0.88	96.0	6.5	1.6	2.5	12.08	2130

SPECIFICHE TECNICHE (50HZ) 6 POLI
TECHNICAL SPECIFICATION (50HZ) 6 POLE

Motor Type	Rated output KW	Full load					Locked Current	Locked Torque	Break-down Torque	moment of inertia J kgm ²	weight kg
		Current A		Speed r/min	Power factor COSØ	Efficiency η%					
		380V	400V				Rated Current	Rated Torque	Rated Torque		
Y ₂ -ODP 160LX6	11	24.7	23.4	975	0.77	88.0	6.0	1.8	2.5	0.162	141
Y ₂ -ODP 180M6	15	31.6	30.0	975	0.81	89.0	6.0	2.3	2.8	0.231	198
Y ₂ -ODP 180L6	18.5	38.1	36.2	975	0.82	90.0	6.0	2.3	2.8	0.256	212
Y ₂ -ODP 200M6	22	44.9	42.7	980	0.82	90.7	6.5	2.1	2.7	0.342	262
Y ₂ -ODP 200L6	30	61.0	57.9	980	0.82	91.2	6.5	2.1	2.7	0.402	279
Y ₂ -ODP 225M6	37	71.4	67.8	980	0.86	91.6	6.5	2.1	2.7	0.632	343
Y ₂ -ODP 250S6	45	88.9	84.4	985	0.84	91.6	6.5	2.2	2.8	0.834	473
Y ₂ -ODP 250M6	55	108	103	985	0.84	91.8	6.5	2.2	2.8	0.894	490
Y ₂ -ODP 280S6	75	148	140	985	0.83	93.0	6.0	2.0	2.5	1.421	675
Y ₂ -ODP 280M6	90	174	165	985	0.84	93.6	6.0	2.0	2.5	1.853	745
Y ₂ -ODP 315S6(A)	110	216	206	988	0.82	94.2	5.5	1.6	2.4	3.378	925
Y ₂ -ODP 315M6(A)	132	259	246	988	0.82	94.6	5.5	1.7	2.4	3.961	965
Y ₂ -ODP 315MX6(A)	160	316	300	988	0.81	95.0	6.0	1.8	2.5	4.804	1083
Y ₂ -ODP 315LA6(A)	180	351	334	988	0.82	95.0	6.0	1.8	2.5	5.187	1127
Y ₂ -ODP 315LB6(A)	200	385	366	988	0.83	95.0	6.0	1.8	2.5	5.727	1165
Y ₂ -ODP 315LX6(B)	225	433	411	988	0.83	95.2	6.0	1.8	2.5	6.309	1335
Y ₂ -ODP 315LY6(B)	250	481	457	988	0.83	95.2	6.0	1.9	2.5	7.022	1371
Y ₂ -ODP 315LZB6(B)	280	538	511	988	0.83	95.2	6.0	1.9	2.5	7.888	1462
Y ₂ -ODP 355S6	315	618	587	988	0.82	94.5	5.0	1.5	1.9	7.910	1620
Y ₂ -ODP 355M6	355	692	658	988	0.82	95.0	5.3	1.6	2.0	9.330	1730
Y ₂ -ODP 355MX6	400	780	741	988	0.82	95.0	5.5	1.6	2.0	9.330	1770
Y ₂ -ODP 355MY6	450	878	834	988	0.82	95.0	5.5	1.6	2.0	10.74	1925
Y ₂₂ -ODP 355L6	500	970	922	988	0.82	95.5	6.0	1.7	2.2	12.25	2075

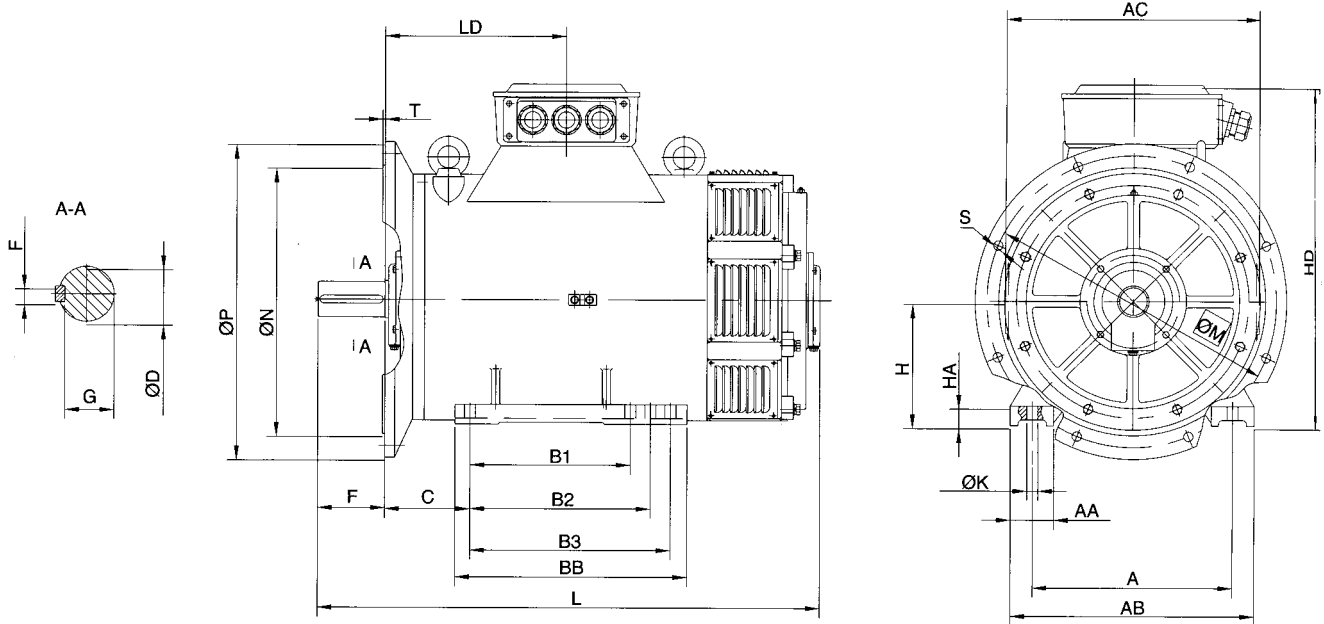
SPECIFICHE TECNICHE (50HZ) 8 POLI
TECHNICAL SPECIFICATION (50HZ) 8 POLE

Motor Type	Rated output KW	Full load					Locked Current	Locked Torque	Break-down Torque	moment of inertia J	weight
		Current A		Speed r/min	Power factor COSØ	Efficiency η%					
		380V	400V				Rated Current	Rated Torque	Rated Torque	kgm²	kg
Y ₂ -ODP 180M8	11	26	25	715	0.76	84.0	4.5	1.8	2.1	0.220	185
Y ₂ -ODP 180L8	15	35	33	715	0.77	84.5	4.5	1.8	2.1	0.260	200
Y ₂ -ODP 200M8	18.5	43	41	720	0.77	84.5	4.5	1.8	2.1	0.340	240
Y ₂ -ODP 200L8	22	50	48	720	0.77	86.0	4.5	1.8	2.1	0.370	250
Y ₂ -ODP 225M8	30	67	64	725	0.77	88.0	4.8	1.8	2.2	0.640	355
Y ₂ -ODP 250S8	37	83	79	730	0.77	88.0	4.8	1.8	2.2	0.850	420
Y ₂ -ODP 250M8	45	101	96	730	0.77	88.0	4.8	1.8	2.2	0.920	440
Y ₂ -ODP 280S8	55	120	114	730	0.77	90.5	5.5	2.0	2.5	1.800	645
Y ₂ -ODP 280M8	75	164	155	730	0.77	90.5	5.5	2.0	2.5	1.800	645
Y ₂ -ODP 315S8	90	188	179	735	0.79	92.0	6.0	1.7	3.0	3.956	870
Y ₂ -ODP 315M8	110	226	215	735	0.8	92.5	6.0	1.7	3.0	5.125	955
Y ₂ -ODP 315MX8	132	271	257	735	0.8	92.5	6.0	1.7	3.0	5.983	970
Y ₂ -ODP 315L8	160	313	298	735	0.83	93.5	5.8	1.3	2.3	6.865	1060
Y ₂ -ODP 315LX8	200	398	379	735	0.82	93.0	5.5	1.2	2.2	7.895	1110
Y ₂ -ODP 315LY8	225	446	424	735	0.82	93.5	5.8	1.3	2.3	8.354	1280
Y ₂ -ODP 355M8	250	525	499	742	0.77	94.0	5.0	1.4	2.0	9.540	1760
Y ₂ -ODP 355MX8	280	585	555	742	0.77	94.5	5.0	1.4	2.0	10.97	1925
Y ₂ -ODP 355L8	315	641	609	742	0.79	94.5	5.0	1.4	2.0	12.51	2080



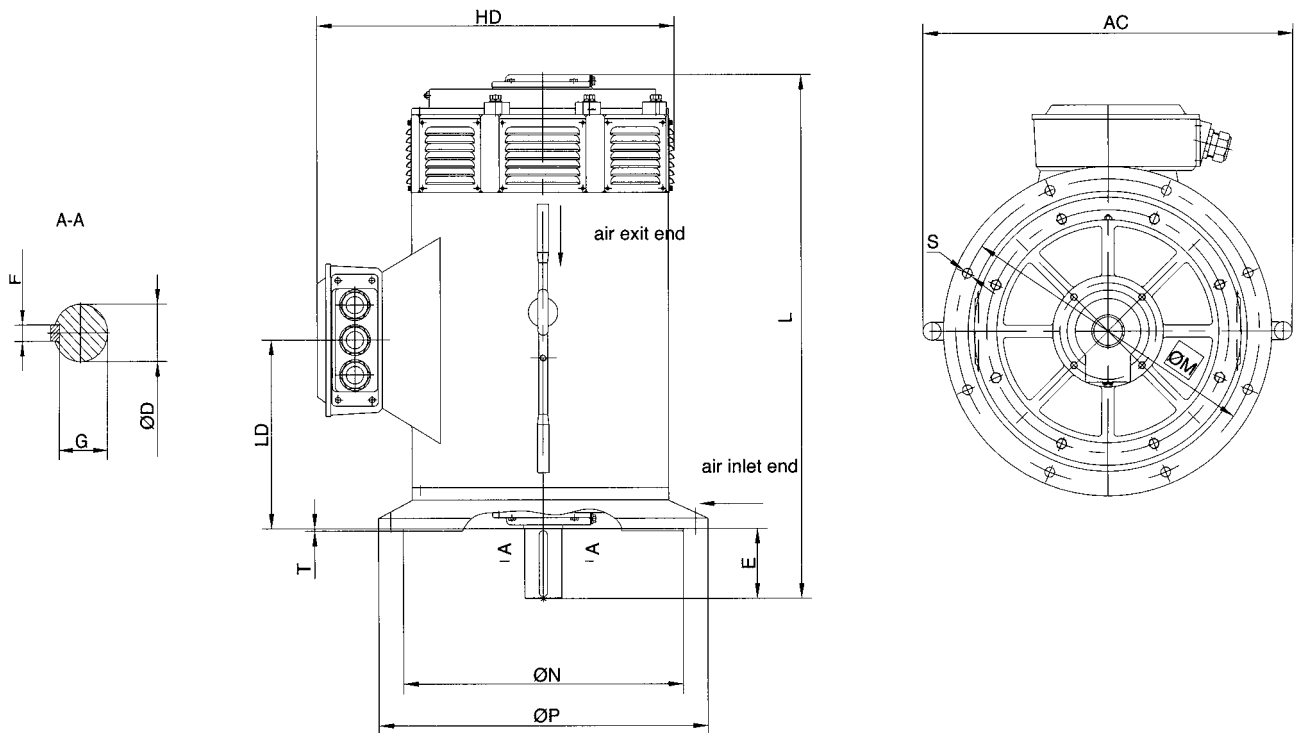
◆ B3

Frame size	Poles	Mounting dimensions (mm)											Overall dimensions (mm)							
		A	B1	B2	B3	C	D	E	F	G	H	K	AB	AC	HD	BB	LD	HA	AA	L
160M/L	2/4/6/8	254	210	254	/	108	48	110	14	42.5	160	14	294	305	430	306	228	24	45	700
180M/L	2/4/6/8	279	241	279	/	121	55	110	16	49	180	15	350	380	490	355	262	30	65	760
200M/L	2/4/6/8	318	267	305	/	133	60	140	18	53	200	19	392	445	550	375	287	30	70	805
225M	2	356	311	/	/	149	60	140	18	53	225	19	445	475	630	387	318	35	75	885
225M	4/6/8	356	311	/	/	149	65	140	18	58	225	19	445	475	630	387	318	35	75	885
250S/M	2	406	311	349	/	168	65	140	18	58	250	24	492	520	730	425	332	40	85	960
250S/M	4/6/8	406	311	349	/	168	75	140	20	67.5	250	24	492	520	730	425	332	40	85	960
280S/M	2	457	368	419	/	190	65	140	18	58	280	24	555	585	785	490	369	45	95	1060
280S/M	4/6/8	457	368	419	/	190	80	170	22	71	280	24	555	585	785	490	369	45	95	1090
315(A)	2	508	406	457	508	216	70	140	20	62.5	315	28	620	665	875	615	473	50	110	1260
315(A)	4/6/8	508	406	457	508	216	90	170	25	81	315	28	620	665	875	615	473	50	110	1295
315(B)	2	508	457	508	560	216	80	140	22	71	315	28	620	665	875	800	473	50	110	1455
315(B)	4/6/8	508	457	508	560	216	90	170	25	81	315	28	620	665	875	800	473	50	110	1490
355M/L	2	610	500	560	630	254	80	170	22	71	355	24	740	768	1085	760	569	55	120	1628
355M/L	4/6/8	610	500	560	630	254	100	210	28	90	355	24	740	768	1085	760	569	55	120	1670



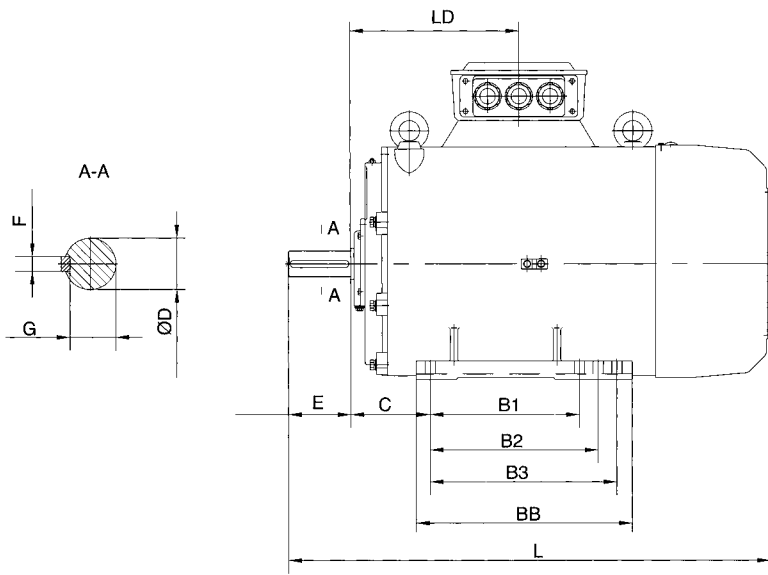
◆ B35

Frame size	Poles	Mounting dimensions (mm)																Overall dimensions (mm)			
		A	B1	B2	B3	C	D	E	F	G	H	K	M	N	P	S	T	AB	AC	HD	L
160M/L	2/4/6/8	254	210	254	/	108	48	110	14	42.5	160	14	300	250	350	4-19	5	294	305	430	700
180M/L	2/4/6/8	279	241	279	/	121	55	110	16	49	180	15	350	300	400	4-19	5	350	380	490	760
200M/L	2/4/6/8	318	267	305	/	133	60	140	18	53	200	19	400	350	450	8-19	5	392	445	550	805
225M	2	356	311	/	/	149	60	140	18	53	225	19	500	450	550	8-19	5	445	475	630	885
225M	4/6/8	356	311	/	/	149	65	140	18	58	225	19	500	450	550	8-19	5	445	475	630	885
250S/M	2	406	311	349	/	168	65	140	18	58	250	24	600	550	660	8-24	6	492	520	730	690
250S/M	4/6/8	406	311	349	/	168	75	140	20	67.5	250	24	600	550	660	8-24	6	492	520	730	690
280S/M	2	457	368	419	/	190	65	140	18	58	280	24	600	550	660	8-24	6	555	585	785	1060
280S/M	4/6/8	457	368	419	/	190	80	170	22	71	280	24	600	550	660	8-24	6	555	585	785	1090
315(A)	2	508	406	457	508	216	70	140	20	62.5	315	28	740	680	800	8-24	6	620	665	875	1260
315(A)	4/6/8	508	406	457	508	216	90	170	25	81	315	28	740	680	800	8-24	6	620	665	875	1295
315(B)	2	508	457	508	560	216	80	140	22	71	315	28	740	680	800	8-24	6	620	665	875	1455
315(B)	4/6/8	508	457	508	560	216	90	170	25	81	315	28	740	680	800	8-24	6	620	665	875	1490
355M/L	2	610	500	560	630	254	80	170	22	71	355	24	940	880	1000	8-20	6	740	768	1085	1628
355M/L	4/6/8	610	500	560	630	254	100	210	28	90	355	24	940	880	1000	8-20	6	740	768	1085	1670

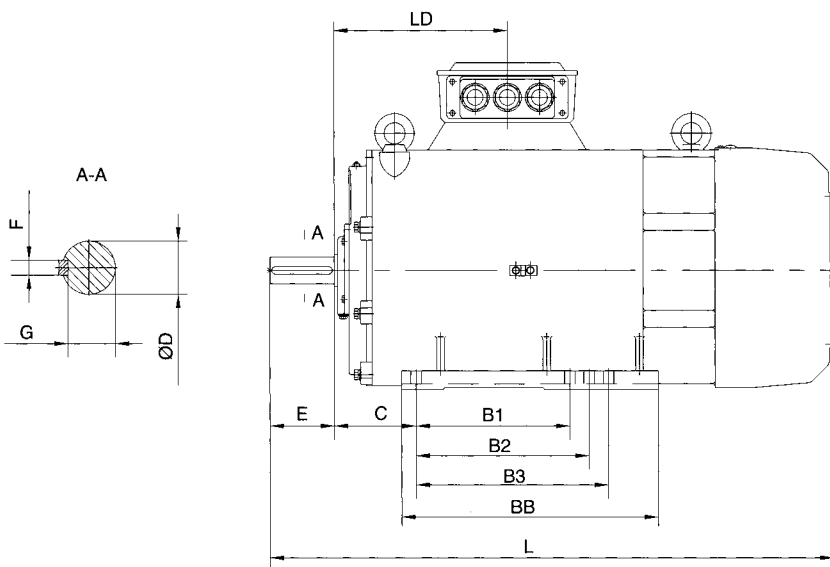
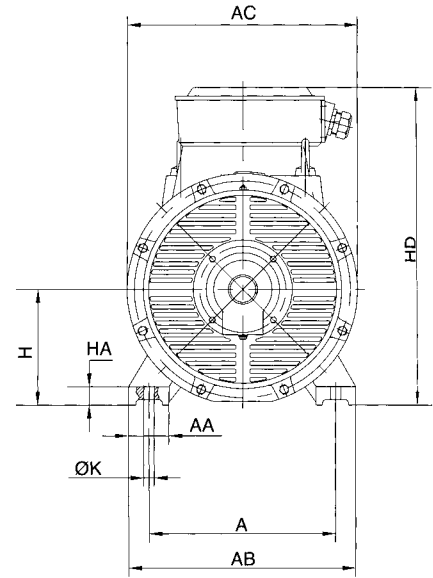


◆ B5(V1)

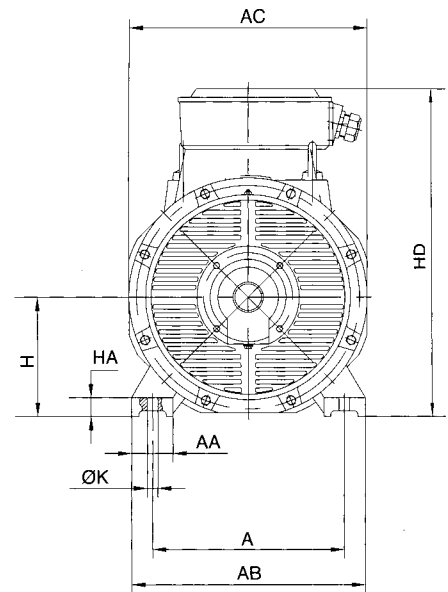
Frame size	Poles	Mounting dimensions (mm)										Overall dimensions (mm)		
		D	E	F	G	H	M	N	P	S	T	AC	HD	L
160M/L	2/4/6/8	48	110	14	42.5	160	300	250	350	4-19	5	425	430	700
180M/L	2/4/6/8	55	110	16	49	180	350	300	400	4-19	5	488	490	760
200M/L	2/4/6/8	60	140	18	53	200	400	350	450	8-19	5	525	540	800
225M	2	60	140	18	53	225	500	450	550	8-19	5	615	590	890
225M	4/6/8	65	140	18	58	225	500	450	550	8-19	5	615	590	890
250S/M	2	65	140	18	58	250	600	550	660	8-24	6	665	660	960
250S/M	4/6/8	75	140	20	67.5	250	600	550	660	8-24	6	665	660	960
280S/M	2	65	140	18	58	280	600	550	660	8-24	6	740	750	1056
280S/M	4/6/8	80	170	22	71	280	600	550	660	8-24	6	740	750	1086
315(A)	2	70	140	20	62.5	315	740	680	800	8-24	6	900	875	1420
315(A)	4/6/8	90	170	25	81	315	740	680	800	8-24	6	900	875	1455
315(B)	2	80	140	22	71	315	740	680	800	8-24	6	900	875	1595
315(B)	4/6/8	90	170	25	81	315	740	680	800	8-24	6	900	875	1630
355M/L	2	80	170	22	71	355	940	880	1000	8-20	6	723	1228	1628
355M/L	4/6/8	100	210	28	90	355	940	880	1000	8-20	6	723	1228	1670



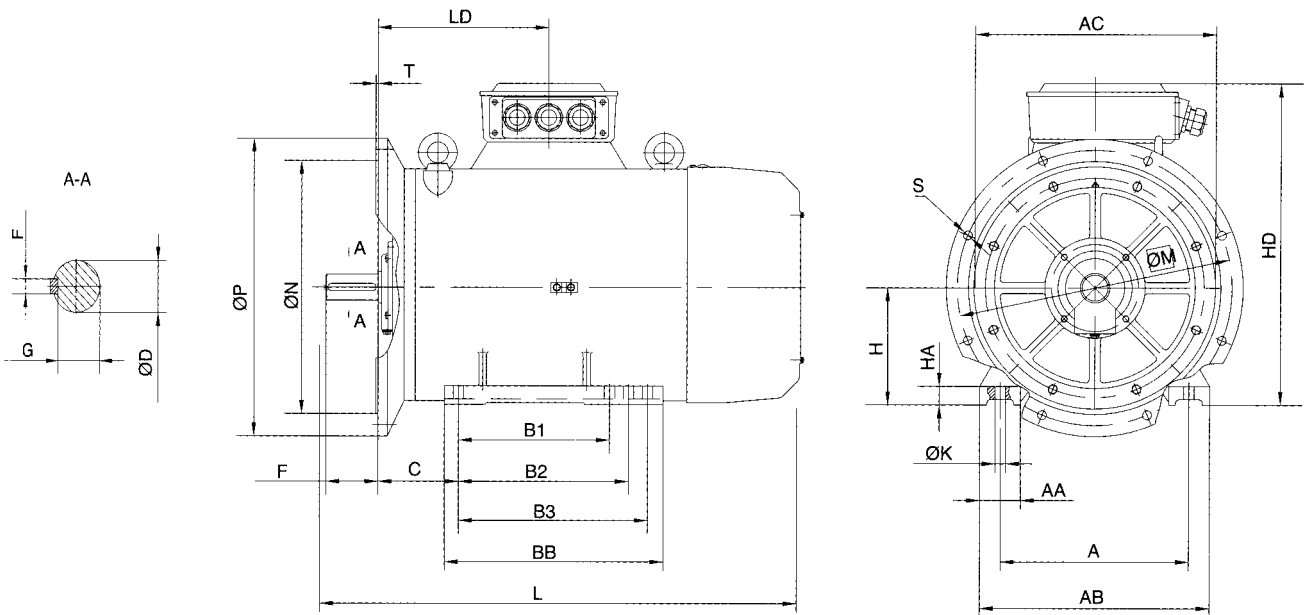
315(A)



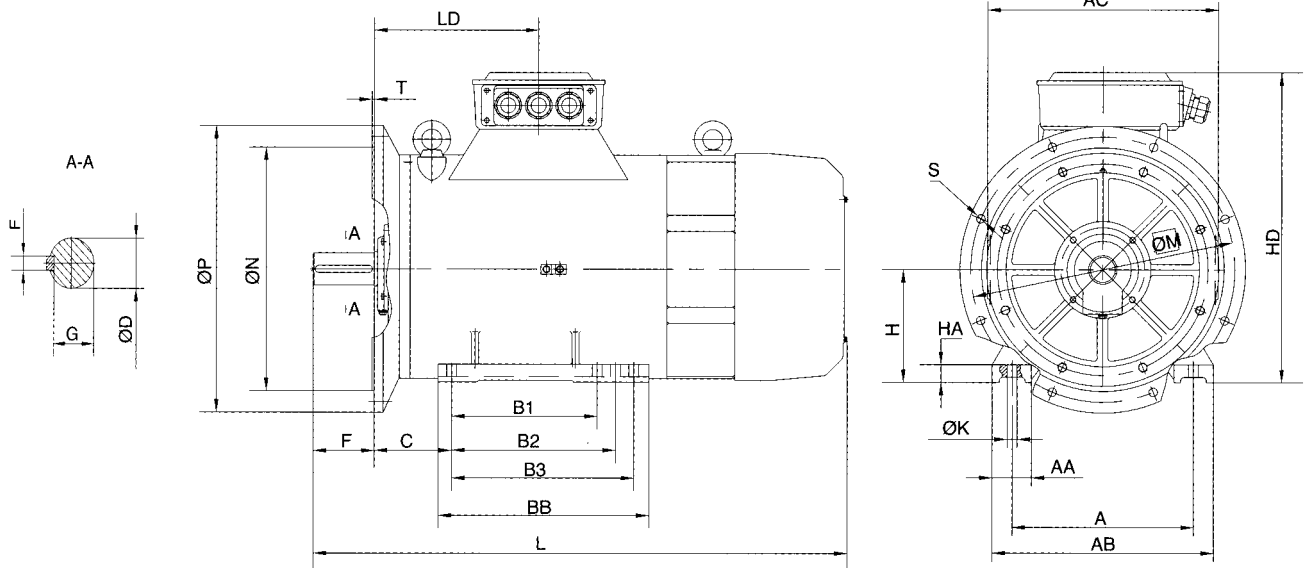
315(B)



Frame size	Poles	Mounting dimensions (mm)											Overall dimensions (mm)							
		A	B1	B2	B3	C	D	E	F	G	H	K	AB	AC	HD	BB	LD	HA	AA	L
315(A)	2	508	406	457	508	216	70	140	20	62.5	315	28	620	630	875	588	598	50	110	1285
315(A)	4/6/8	508	406	457	508	216	90	170	25	81	315	28	620	630	875	588	628	50	110	1320
315(B)	2	508	457	508	560	216	80	140	22	71	315	28	620	630	875	678	598	50	110	1460
315(B)	4/6/8	508	457	508	560	216	90	170	25	81	315	28	620	630	875	678	628	50	110	1495

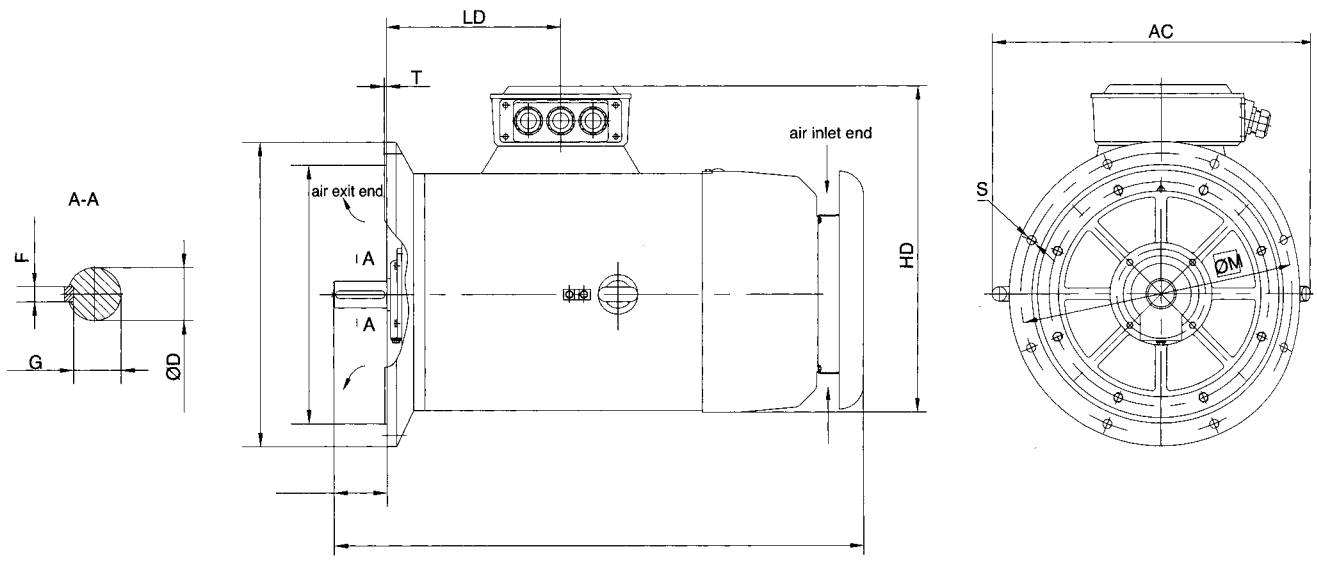


315(A)

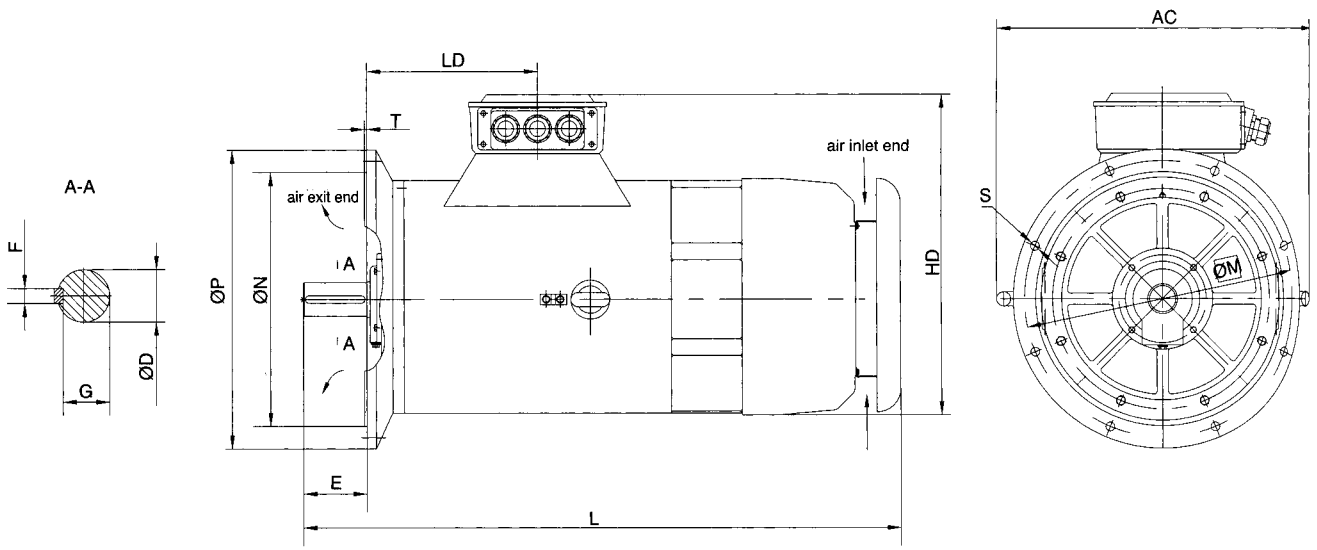


315(B)

Frame size	Poles	Mounting dimensions (mm)																Overall dimensions (mm)			
		A	B1	B2	B3	C	D	E	F	G	H	K	M	N	P	S	T	AB	AC	HD	L
315(A)	2	508	406	457	508	216	70	140	20	62.5	315	28	740	680	800	8-24	6	620	630	875	1285
315(A)	4/6/8	508	406	457	508	216	90	170	25	81	315	28	740	680	800	8-24	6	620	630	875	1320
315(B)	2	508	457	508	560	216	80	140	22	71	315	28	740	680	800	8-24	6	620	630	875	1460
315(B)	4/6/8	508	457	508	560	216	90	170	25	81	315	28	740	680	800	8-24	6	620	630	875	1495



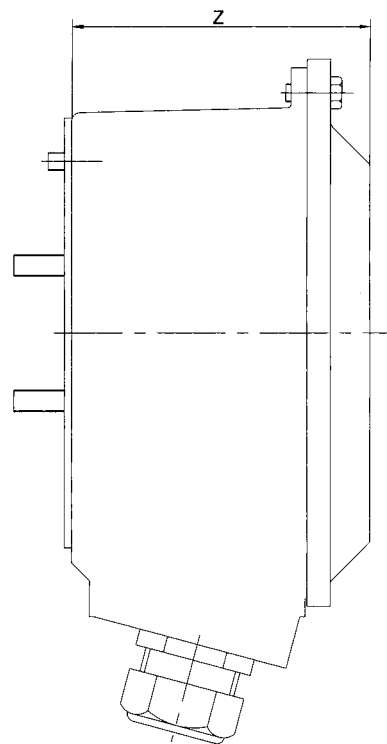
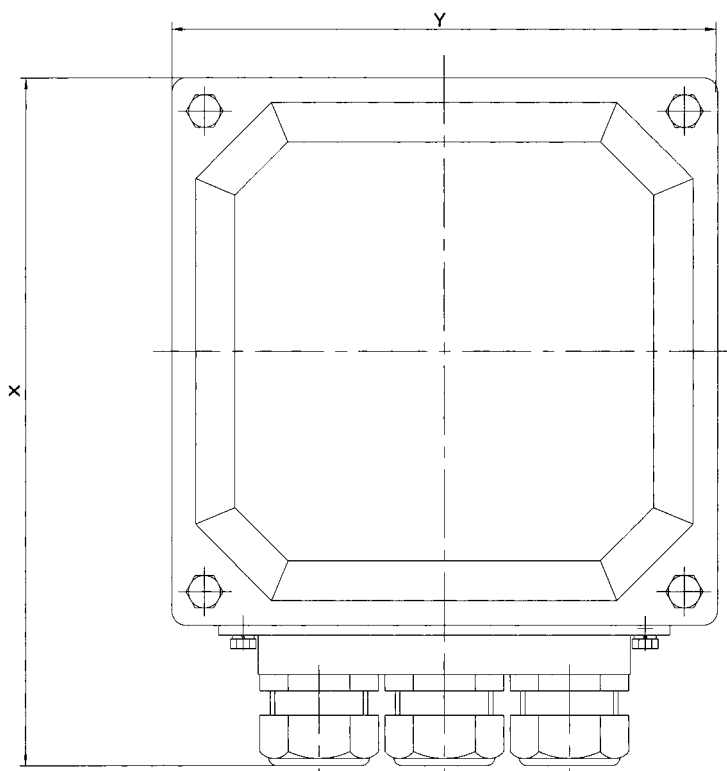
315(A)



315(B)

◆ V1

Frame size	Poles	Mounting dimensions (mm)										Overall dimensions (mm)		
		D	E	F	G	H	M	N	P	S	T	AC	HD	L
315(A)	2	70	140	20	62.5	315	740	680	800	8-24	6	650	875	1420
315(A)	4/6/8	90	170	25	81	315	740	680	800	8-24	6	650	875	1455
315(B)	2	80	140	22	71	315	740	680	800	8-24	6	650	875	1595
315(B)	4/6/8	90	170	25	81	315	740	680	800	8-24	6	650	875	1630



Frame size	X	Y	Z	Dia. of the gland
160M/L	200	250	115	2-M50x1.5
180M/L	200	250	115	2-M50x1.5
200M/L	226	280	123	2-M63x1.5
225M	226	280	123	2-M63x1.5
250S/M	303	335	166	2-M63x1.5
280S/M	370	470	170	2-M63x1.5
315S/M/L	370	470	170	3-M63x1.5
355S/M/L	430	560	240	3-M63x1.5

CUSCINETTI BEARINGS

B3 B35 B5				
Frame size	Driving End		Non-driving End	
	2 (pole)	4/6/8 (pole)	2 (pole)	4/6/8 (pole)
160	6310C3	6309C3	6310C3	6309C3
180	6312C3	6312C3	6312C3	6312C3
200	6313C3	6313C3	6313C3	6313C3
225	6314C3	6314C3	6314C3	6314C3
250	6314C3	6317C3	6314C3	6317C3
280	6314C3	6318C3	6314C3	6318C3
315	6317C3	6319C3(NU319)	6317C3	6319C3
355	6319C3	6322C3(NU322)	6319C3	6320C3

V1				
Frame size	Driving End		Non-driving End	
	2 (pole)	4/6/8 (pole)	2 (pole)	4/6/8 (pole)
315	6317C3	6319C3(NU319)	7317	7319
355	6319C3	6322C3(NU322)	7319	7320

VIBRAZIONI VIBRATION

Frame size	≤132		>132~225		>225~400	
	600~1800	>1800~3600	600~1800	>1800~3600	500~1800	>1800~3600
Synchronous Speed r/min						
Vibration Class	Effective Value of speed mm/s					
N	1.8		2.8		3.5	
R	0.71	1.12	1.12	1.80	1.80	2.80
S	0.45	0.71	0.71	1.12	1.12	1.80

RUMOROSITÀ (50HZ)
NOISE (50HZ)

Driving End

Non-driving End

Output (kW)	Synchronous Speed r/min			
	3000	1500	1000	750
	Lp dB(A) Sound pressure level in dB(A)			
	no load	no load	no load	no load
11	/	66	63	62
15	72	66	63	62
18.5	72	66	63	63
22	72	67	65	63
30	77	67	65	64
37	77	68	67	65
45	81	68	68	65
55	81	70	68	67
75	82	73	70	67
90	83	73	70	70
110	83	74	73	70
132	83	74	73	70
160	88	81	76	72
180	/	/	76	/
200	88	81	76	72
225	/	/	76	72
250	88	85	76	73
280	88	85	76	73
315	88	85	76	73
355	88	85	76	/
400	88	85	76	/
450	88	/	76	/
500	88	85	76	/
560	/	85	/	/
630	89	85	/	/
710	89	85	/	/

